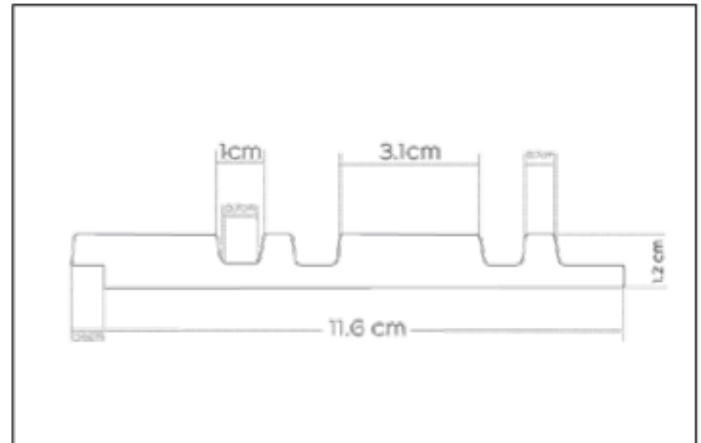
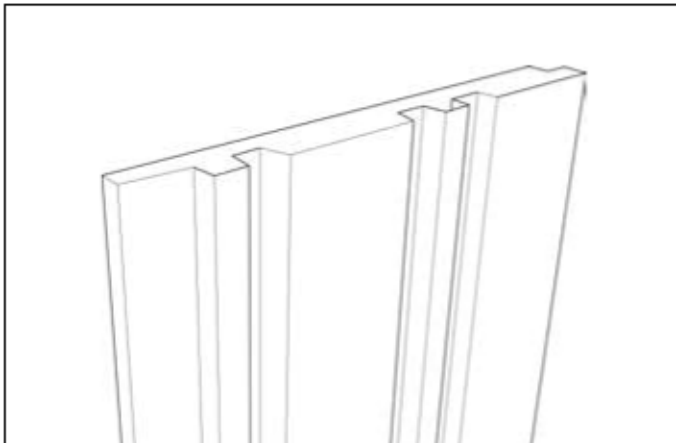


Collection

MILO

page: 1/2



### Product Specifications

composition:	100% polistyren (95% recycled material)	
	<b>waterproof</b>	100%
properties:	<b>fire resistance</b>	EN 13501-1: 2019-02 ISO11925-2:2000 fire class E
	<b>heavy metals</b>	not detected
	<b>formaldehyde</b>	not detected
	<b>radioactivity</b>	not detected

### Panel dimensions:

length [cm]	270
width [cm]	12,2
depth [cm]	1,2
net weight [kg]	1,2

### Collective packaging:

dimensions (length/width/depth) [cm]	275 x 14 x 22
quantity in package	19
net weight [kg]	22,6
gross weight [kg]	24
package volume [m <sup>3</sup> ]	0,0847

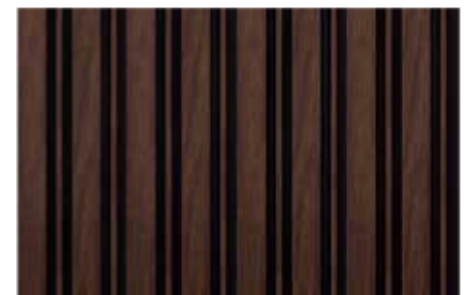
### Colors:



oak sonoma-black



gold-black



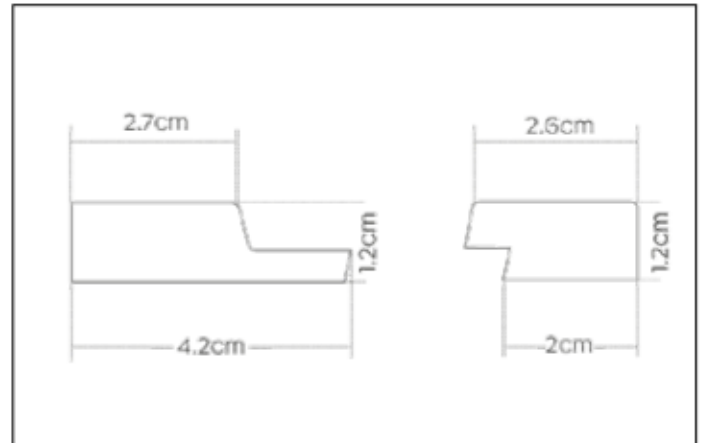
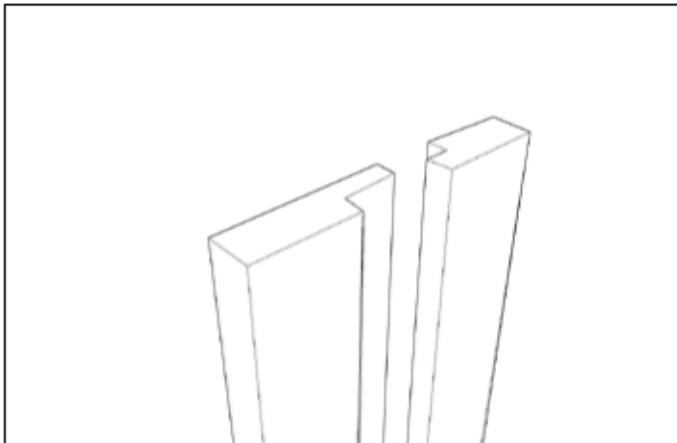
walnut-black

GAUDIAHOME s.r.o  
Vysokoškolákov 8421/41  
010 08 Žilina  
lameliopanel.com

Finishing trims

MILO

page: 2/2



Product Specifications: [see page 1](#)

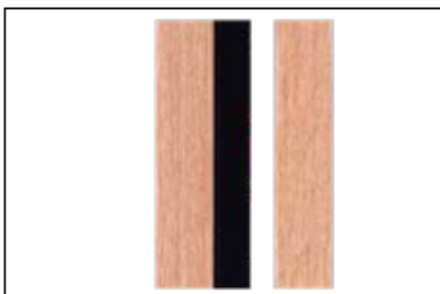
Finishing trims dimensions:

length [cm]		270		270
width [cm]	left	2,7/4,2	right	2,6/2
depth [cm]		1,2		1,2
net weight [kg]		0,42		0,3

Collective packaging:

dimensions (length/width/depth) [cm]	left	275 x 14 x 22	right	275 x 15 x 22
quantity in package		55		88
net weight [kg]		23,5		26,5
gross weight [kg]		25		28
package volume [m <sup>3</sup> ]		0,0847		0,091

Colors:



oak sonoma-black



gold-black



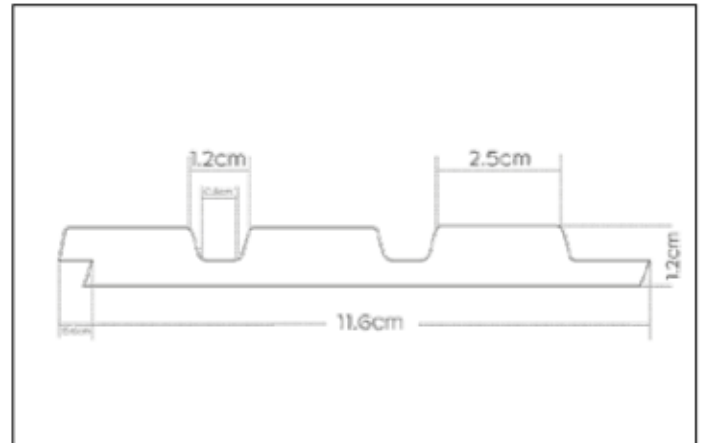
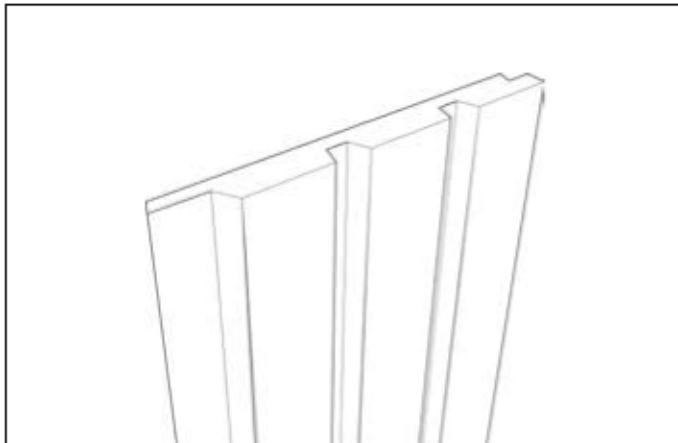
walnut-black

GAUDIAHOME s.r.o  
 Vysokoškolákov 8421/41  
 010 08 Žilina  
[lameliopanel.com](http://lameliopanel.com)

Collection

# OLMO

page: 1/2



## Product Specifications

composition:	100% polistyren (95% recycled material)	
	<b>waterproof</b>	100%
properties:	<b>fire resistance</b>	EN 13501-1: 2019-02 ISO11925-2:2000 fire class E
	<b>heavy metals</b>	not detected
	<b>formaldehyde</b>	not detected
	<b>radioactivity</b>	not detected

## Panel dimensions:

length [cm]	270
width [cm]	12,2
depth [cm]	1,2
net weight [kg]	1,22

## Collective packaging:

dimensions (length/width/depth) [cm]	275 x 14 x 22
quantity in package	19
net weight [kg]	21,45
gross weight [kg]	23,00
package volume [m <sup>3</sup> ]	0,0847

## Colors:



oak gold-oak gold



black-black



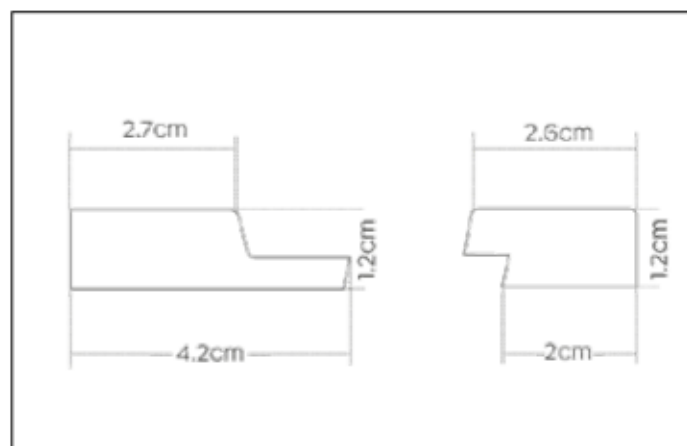
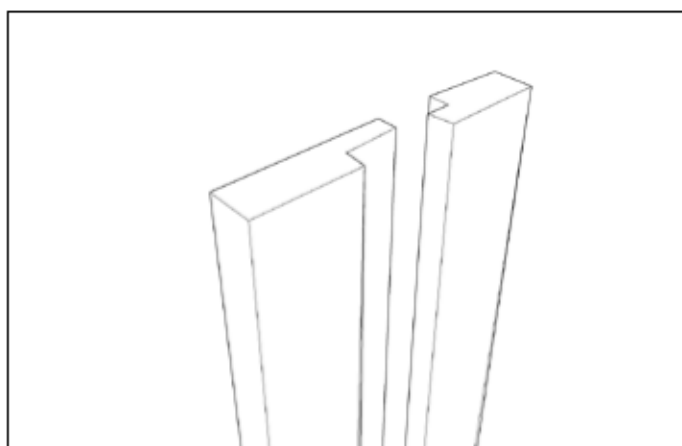
oak craft-black

GAUDIAHOME s.r.o  
Vysokoškolákov 8421/41  
010 08 Žilina  
lameliopanel.com

Finishing trims

OLMO

page: 2/2



Finishing trims dimensions:

Product Specifications: [see page 1](#)

length [cm]		270		270
width [cm]	left	2,7/4,2	right	2,6/2
depth [cm]		1,2		1,2
net weight [kg]		0,43		0,3

Collective packaging:

dimensions (length/width/depth) [cm]	left	275 x 15 x 22	right	275 x 15 x 22
quantity in package		55		88
net weight [kg]		≈24		≈26,25
gross weight [kg]		≈25,50		≈28,00
package volume [m <sup>3</sup> ]		0,0847		0,091

Colors:



oak gold-oak gold



black-black



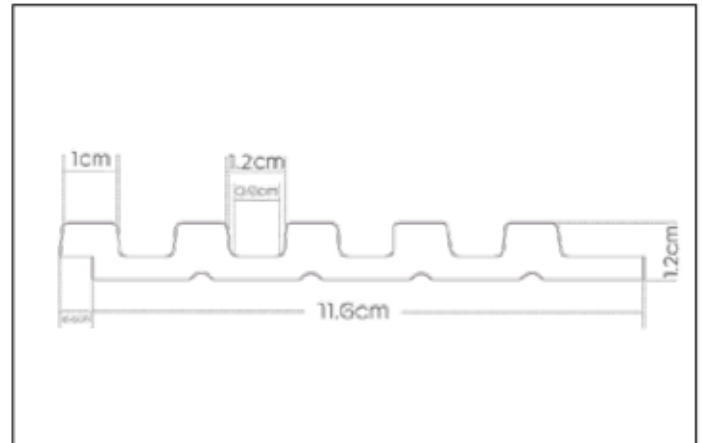
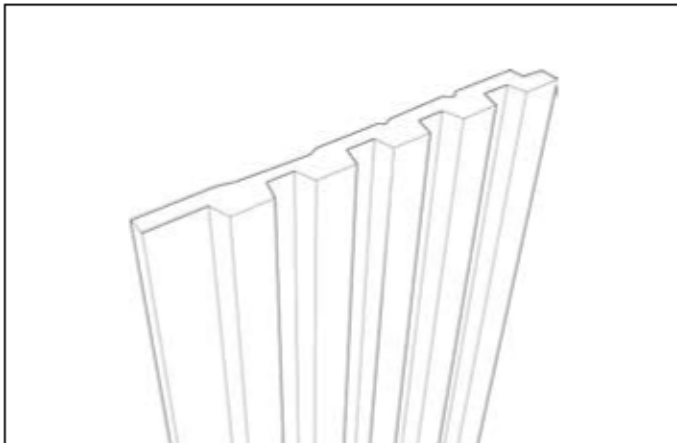
oak craft-black

GAUDIAHOME s.r.o  
 Vysokoškolákov 8421/41  
 010 08 Žilina  
[lameliopanel.com](http://lameliopanel.com)

Collection

# ASTI

page: 1/2



## Product Specifications

composition:	100% polistyren (95% recycled material)	
	<b>waterproof</b>	100%
properties:	<b>fire resistance</b>	EN 13501-1: 2019-02 ISO11925-2:2000 fire class E
	<b>heavy metals</b>	not detected
	<b>formaldehyde</b>	not detected
	<b>radioactivity</b>	not detected

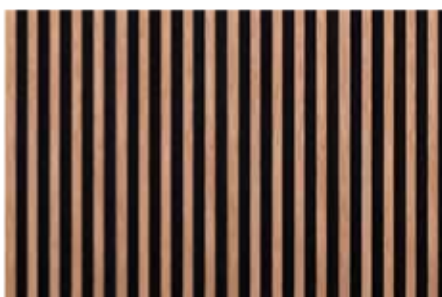
## Panel dimensions:

length [cm]	270
width [cm]	12,2
depth [cm]	1,2
net weight [kg]	1,13

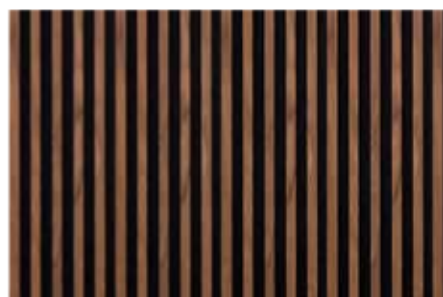
## Collective packaging:

dimensions (length/width/depth) [cm]	275 x 14 x 23
quantity in package	19
net weight [kg]	21,45
gross weight [kg]	23
package volume [m <sup>3</sup> ]	0,0847

## Colors:



oak gold-black



oak craft-black



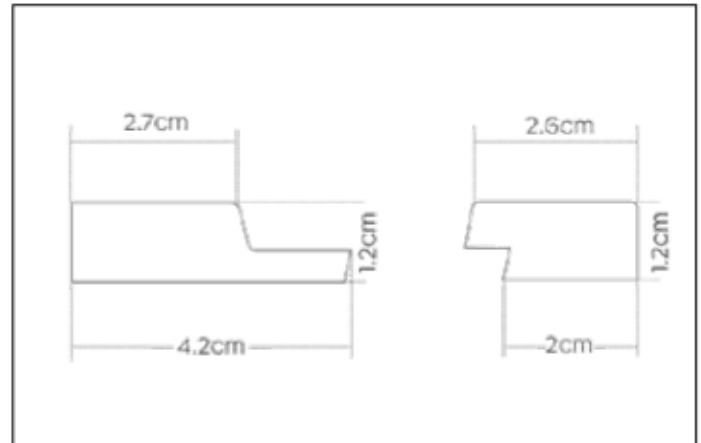
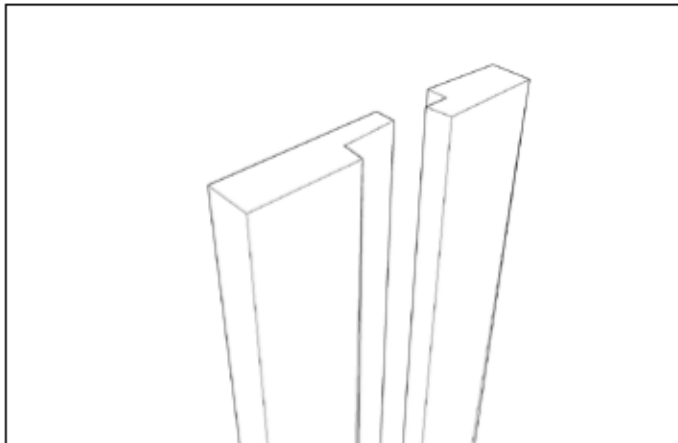
silver-black

GAUDIAHOME s.r.o  
Vysokoškolákov 8421/41  
010 08 Žilina  
lameliopanel.com

Finishing trims

ASTI

page: 2/2



Product Specifications: [see page 1](#)

Finishing trims dimensions:

length [cm]		270		270
width [cm]	left	2,7/4,2	right	2,6/2
depth [cm]		1,2		1,2
net weight [kg]		0,43		0,3

Collective packaging:

dimensions (length/width/depth) [cm]	left	275 x 14 x 22	right	275 x 14 x 22
quantity in package		55		88
net weight [kg]		≈24		≈26,25
gross weight [kg]		≈25,50		≈28
package volume [m <sup>3</sup> ]		0,0847		0,091

Colors:



oak gold-black



oak craft-black



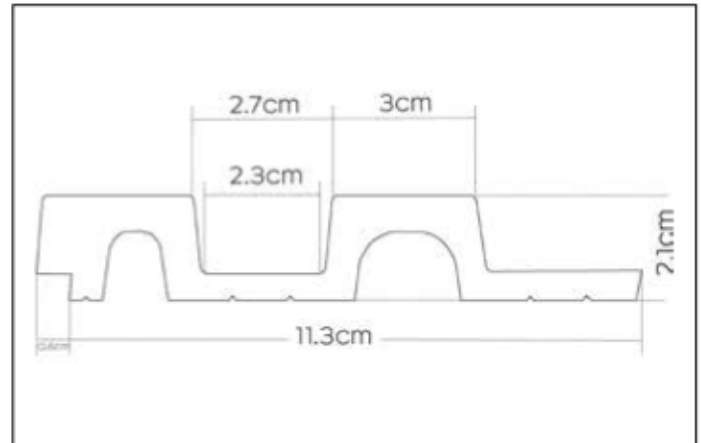
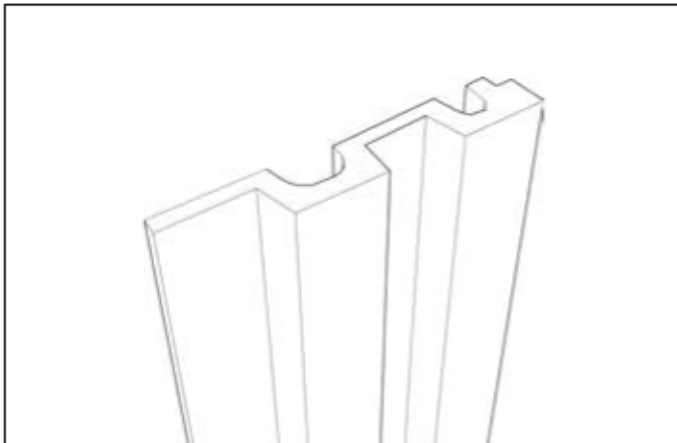
silver-black

GAUDIAHOME s.r.o  
 Vysokoškolákov 8421/41  
 010 08 Žilina  
[lameliopanel.com](http://lameliopanel.com)

Collection

# VASCO

page: 1/2



## Product Specifications

composition:	100% polistyren (95% recycled material)	
	<b>waterproof</b>	100%
properties:	<b>fire resistance</b>	EN 13501-1: 2019-02 ISO11925-2:2000 fire class E
	<b>heavy metals</b>	not detected
	<b>formaldehyde</b>	not detected
	<b>radioactivity</b>	not detected

## Panel dimensions:

length [cm]	270
width [cm]	12,2
depth [cm]	2,1
net weight [kg]	1,42

## Collective packaging:

dimensions (length/width/depth) [cm]	275 x 14 x 22
quantity in package	14
net weight [kg]	20
gross weight [kg]	21
package volume [m <sup>3</sup> ]	0,0847

## Colors:



oak gold-black



oak craft-black



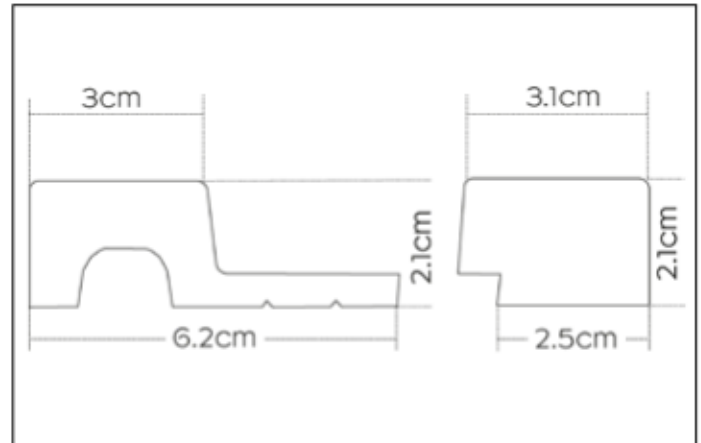
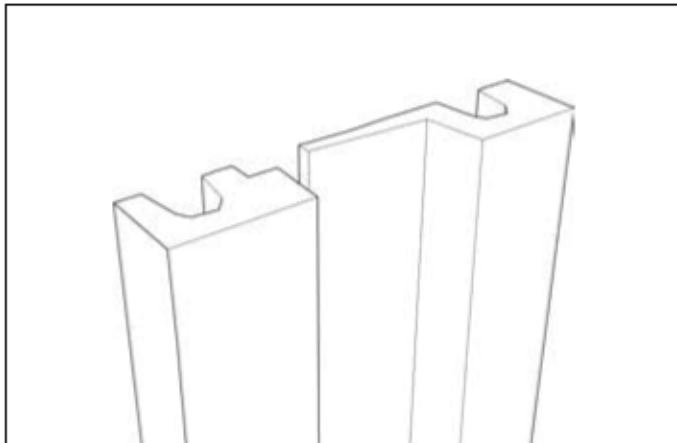
walnut-black

GAUDIAHOME s.r.o  
Vysokoškolákov 8421/41  
010 08 Žilina  
lameliopanel.com

Finishing trims

# VASCO

page: 2/2



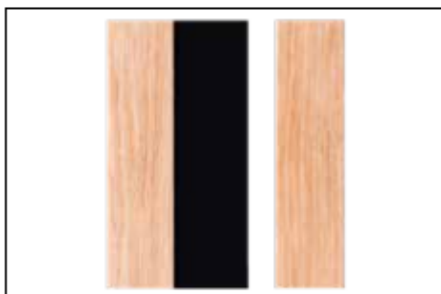
Product Specifications: [see page 1](#)

### Finishing trims dimensions:

length [cm]		270		270
width [cm]	left	3/6,2	right	3,1/2,5
depth [cm]		2,1		2,1
net weight [kg]		0,77		0,74

dimensions (length/width/depth) [cm]		275 x 14 x 22		275 x 14 x 22
quantity in package	left	27	right	20
net weight [kg]		21		24
gross weight [kg]		22		25,5
package volume [m <sup>3</sup> ]		0,0847		0,091

### Colors:



oak gold-black



oak craft-black



walnut-black

GAUDIAHOME s.r.o  
 Vysokoškolákov 8421/41  
 010 08 Žilina  
[lameliopanel.com](http://lameliopanel.com)



# ISO5660 - Report No. 7287 of the day 2022-05-19

Test method /norm	ISO5660-1:2015
Current control	YES
Comment/ observation	

Data of specimen		Environmental conditions		Data of apparatus	
Number	1	Environmental temperature	21 °C	Exhaust flow rate	24 dm <sup>3</sup> /s
Mass	50,64 g	Barometric pressure	1020 hPa	Exhaust diameter	0,114 m
Thickness	12,16 mm	Humidity	39 %	Calibration constant	0,037
Surface area	0,008836 m <sup>2</sup>	<b>Test conditions</b>		Oxygen consumption constant	13,10 kJ/g
Density	416,4 kg/m <sup>3</sup>	Irradiance	50 kW/m <sup>2</sup>	O <sub>2</sub> analyzer delay	9 s
Conditioning according to	ISO5660	External ignition	YES	CO <sub>2</sub> analyzer delay	9 s
		Distance	25 mm	CO analyzer delay	9 s
		Wire mesh	NO		

## Final findings

Ignition time	4 s	Extinction time	391 s
Duration of the test	1200 s	Termination of the test according to	ISO5660-1:2015 pkt 11.3.5
Fire integrity	NO		

	Maximum value	Time of arrival of the value
Heat release rate HRR	4,119 kW (466,18 kW/m <sup>2</sup> )	282 s
<b>Average heat release rate (MARHE)</b>	<b>385,52 kW/m<sup>2</sup></b>	<b>320 s</b>
Total heat release	145,7 MJ/m <sup>2</sup>	1200 s
Effective combustion heat	26,1 MJ/kg	
Maximum mass loss rate	0,22 g/s	272 s
Mass loss	49,36 g	514 s
Average mass loss rate (see 13v standard)	16,144 g/m <sup>2</sup> *s	
Smoke production rate	0,2652 m <sup>2</sup> /s	262 s
Total smoke production per unit area	8322,0 m <sup>2</sup> /m <sup>2</sup>	1200 s
Total smoke production	73,5 m <sup>2</sup>	1200 s
Carbon dioxide yield	5,381 kg/kg	
Carbon monoxide yield	0,200 kg/kg	
Oxygen consumption	3,49 %	294 s

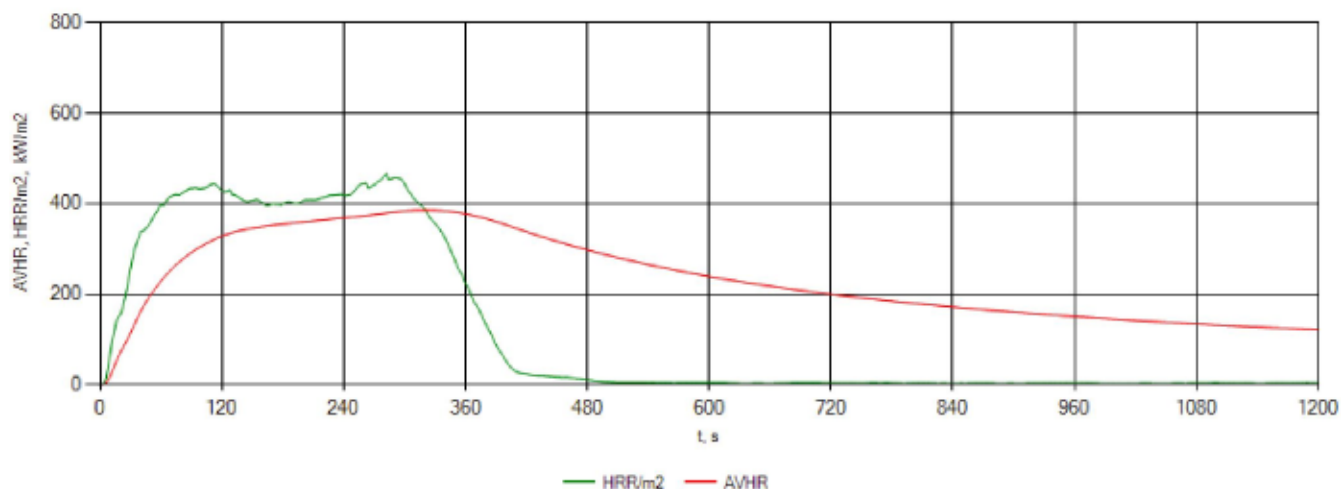
## Indirect values

	<i>before ignition</i>	<i>after ignition</i>	<i>after</i>	<i>after</i>	<i>after</i>	
<b>1. before and after the ignition for times</b>	<b>0 s - 4 s</b>	<b>4 s - 390 s</b>	<b>180 s</b>	<b>300 s</b>	<b>600 s</b>	
Average heat release rate, kW/m <sup>2</sup>	2,03	358,61	355,18	383,78	239,49	
Total heat release, MJ/m <sup>2</sup>	0,0	140,6	63,9	115,1	143,7	
Mass loss rate, g/s	0,000	0,127	0,133	0,137	0,082	
Mass loss, g	0,00	48,87	23,86	41,05	49,36	
Total smoke production per unit area, m <sup>2</sup> /m <sup>2</sup>	0,1	6768,8	3123,9	5554,4	7297,2	
Total smoke production, m <sup>2</sup>	0,0	59,8	27,6	49,1	64,5	
Carbon dioxide yield, kg/kg	0,000	5,257	2,452	4,370	5,351	
Carbon monoxide yield, kg/kg	0,000	0,195	0,097	0,165	0,200	
<b>2. after the ignition for times</b>	<b>1 min</b>	<b>2 min</b>	<b>3 min</b>	<b>4 min</b>	<b>5 min</b>	<b>6 min</b>
Average heat release rate, kW/m <sup>2</sup>	240,08	331,62	356,18	369,64	384,46	375,88
Total heat release, MJ/m <sup>2</sup>	15,4	41,1	65,5	90,2	116,9	136,8
Mass loss rate, g/s	0,107	0,129	0,133	0,134	0,137	0,132
Mass loss, g	6,85	15,97	24,51	32,71	41,63	48,06
Total smoke production per unit area, m <sup>2</sup> /m <sup>2</sup>	804,7	2024,8	3205,7	4405,1	5629,9	6588,5
Total smoke production, m <sup>2</sup>	7,1	17,9	28,3	38,9	49,7	58,2
Carbon dioxide yield, kg/kg	0,605	1,597	2,512	3,437	4,433	5,133
Carbon monoxide yield, kg/kg	0,025	0,064	0,099	0,132	0,168	0,192

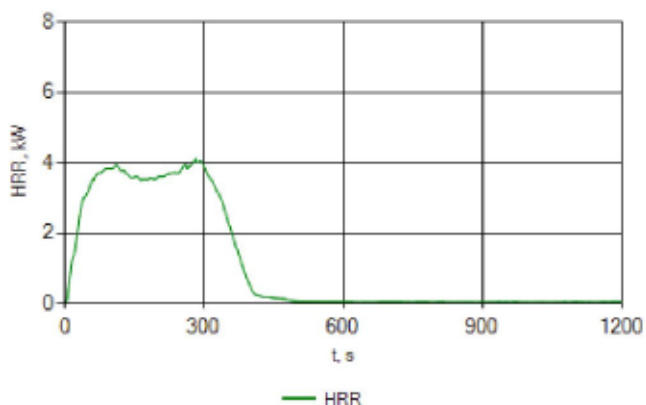
Findings determine properties of studied samples of material in conditions for the testing stipulated in the contract, therefore alone bases don't constitute a fire hazard of the place of using it for the evaluation.

## Graphs depicting the course of the measurement

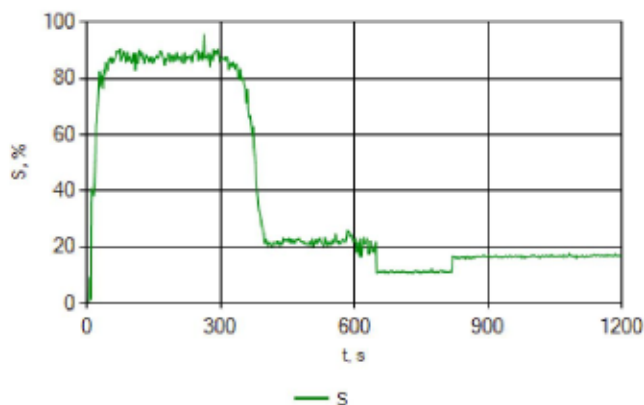
Heat release rate (HRR/m<sup>2</sup>) and average heat emission (AVHR)



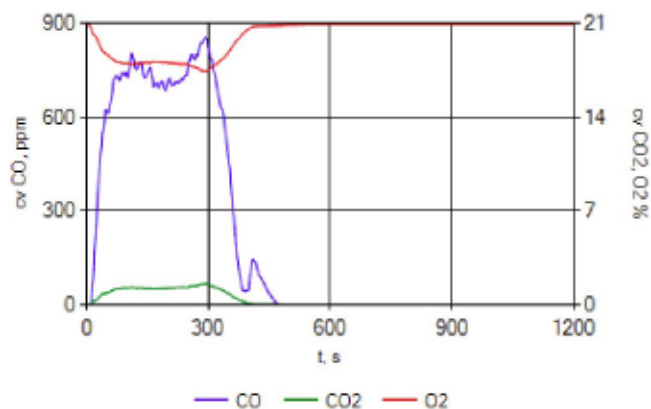
Heat release rate (HRR)



Light attenuation



Volume concentration, CO, CO<sub>2</sub> and O<sub>2</sub>



Mass loss

